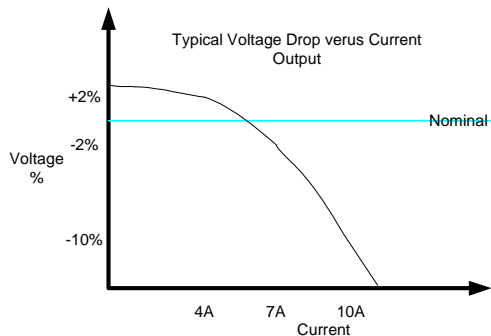


# G50 Isolation Transformer Technical Sheet



## Specifications

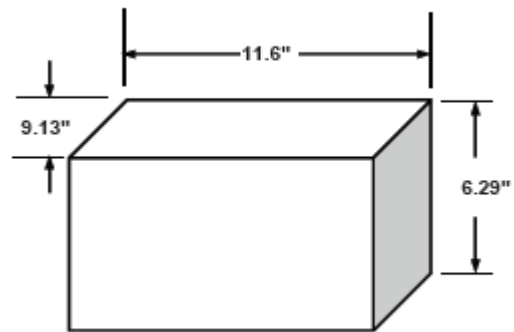
Output Power: 2000VA  
 Input Power: 2047VA  
 Maximum Voltage: 230VAC  
 Voltage Drop versus Output Current:  
 See Graph: 2% Drop at 7A



Maximum Current Output: 17.93A  
 20A Circuit Breaker on Input  
 Frequency: 50Hz/60Hz

## Mechanical:

Input via gold plated IEC connector  
 Output via gold plated IEC connector  
 Total Weight: 37.79 lbs  
 Dimensions:



Case contains 2 IEC Connectors & 20Amp Breaker

## Approvals:

### Approvals



**RoHS**  
 Compliant